

Identifying Robust Detail candidate sites

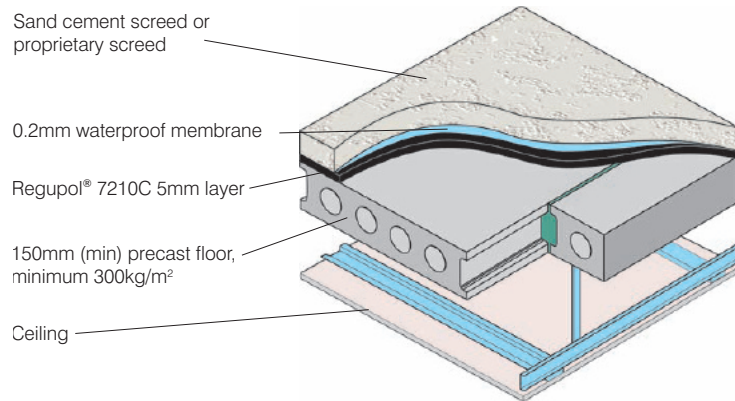
Regupol 7210C



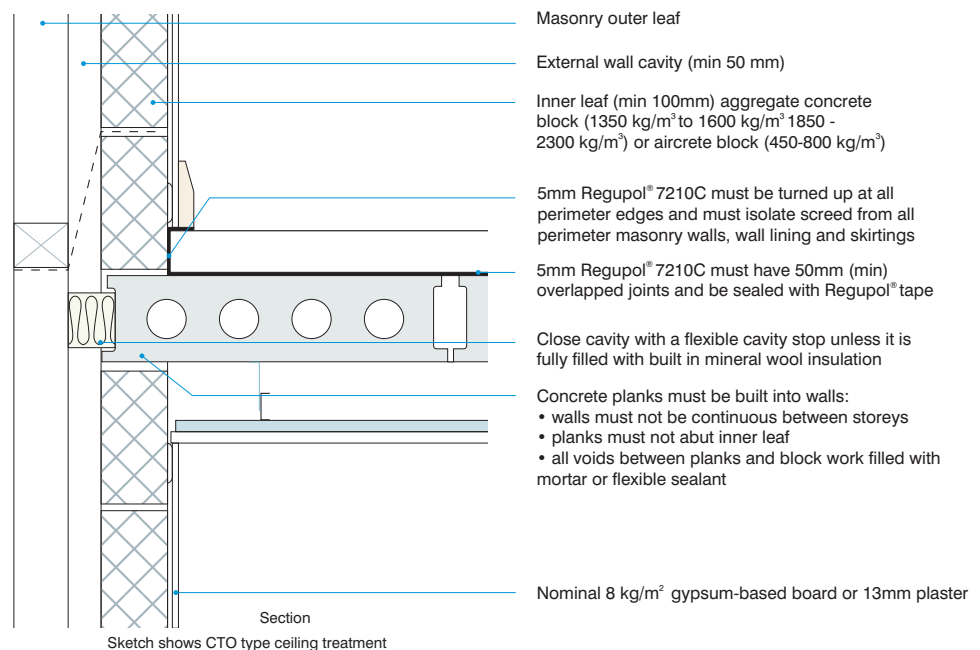
To support the Robust Detail (RD) application for Regupol® 7210C, we are offering Free Part E onsite testing for projects which meet the RD criteria below.

To be considered for free testing, the site specification must be submitted to Jamie Symons of JES Acoustics Ltd for review. Telephone 07816 783327, email jes@jesacoustics.co.uk

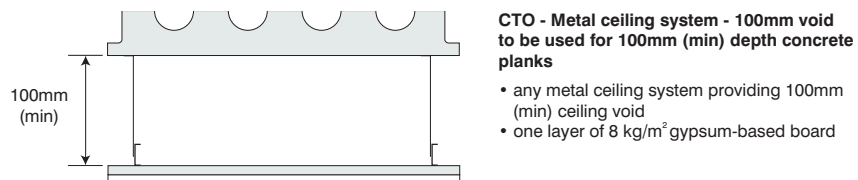
Floor



Wall



Ceiling



Sites which deviate slightly from the above specification will be considered for free independent acoustic testing. The cost of testing will be covered by CMS Acoustics and Regupol manufacturer, BSW GmbH, who reserve the right to refuse applications and to withdraw the offer at any time without any prior warning.

For guidance on applying for free acoustic testing please call **01925 577711**

