

Before you lay Regupol® 6010SH

1. **Prepare the Base Floor.** It is important that the base floor is **Clean** (free from loose dirt and concrete dust), **Flat** (within National Building Standards $\pm 5\text{mm}$ over a 5m span) and where possible, **Dry**.
2. **Unroll the Regupol®.** When the product is rolled up it stretches slightly. Unwind each roll where it is to be installed and leave it for a few hours **before** measuring or cutting to length.

Laying Regupol® 6010SH

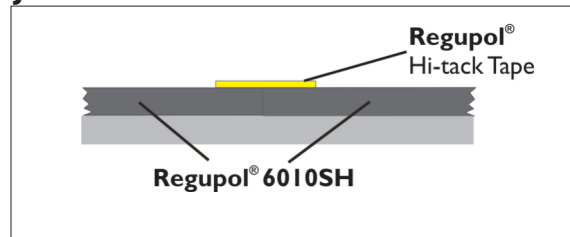
1. **The Regupol® 6010SH perimeter strips must be installed first,** with the material butted against the perimeter walls. These strips can either be cut to the required width on site using a sharp knife and straight edge or pre-cut strips can be ordered individually. N.B. The perimeter strips should be at least 10mm above the finished screed. Excess material to be trimmed after the screed has set.
2. **Use a sharp knife and straight edge for cutting to size.**
3. **Joints to be butt jointed (both along and across the roll).** Butt joints to be taped down using **Regupol® Hi-tack tape**.
4. **Lay a waterproof membrane** (eg Visqueen), minimum of 0.2mm thick over the entire area. Joints must be overlapped by at least 100mm and must also cover the upturned edges of the **Regupol®**. All joints must be taped to prevent movement during the casting process.

You can now cast the screed taking the usual precautions to avoid damaging or moving the membrane and the **Regupol®**.

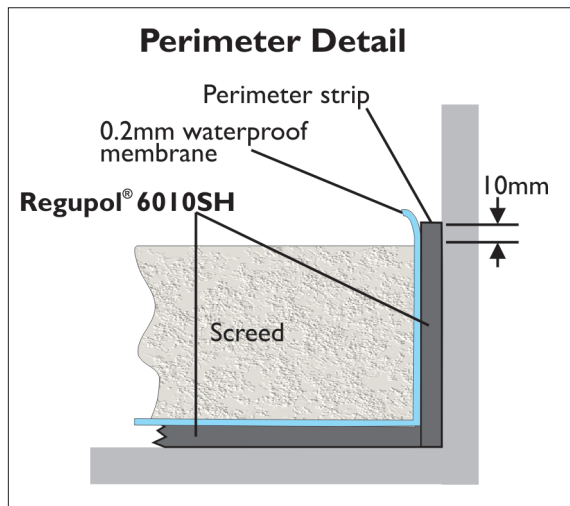
Installation Service

In addition to supply of this product CMS Acoustic Solutions offers a competitively-priced installation service anywhere in the UK. Use of our service ensures that installation is performed to the highest standards by tradesmen fully experienced in the specialist skills of fitting acoustic materials correctly. For further details contact our technical team on 01925 577711.

JOINT DETAIL



TURN UP PERIMETER EDGES



NB
The **Regupol® 6010SH** high load isolation must be butt jointed. Both the screed thickness and method of installation must be advised by the contractor responsible for the screed package.