

Before you lay Regupol® 7210C

1. **Prepare the Base Floor.** It is important that the base floor is **Clean** (free from loose dirt and concrete dust), **Flat** (within National Building Standards $\pm 5\text{mm}$ over a 5m span) and where possible, **Dry**.
2. Please check that you have the correct number of **Regupol® Corner Pieces**. One **Regupol® Corner Piece** should be used for each internal corner.

Laying Regupol® 7210C.

1. **The Regupol® 7210C** is supplied in sheet form. A sharp craft knife and straight edge must be used for cutting to size.
2. **Position the Regupol® Corner Pieces** into each of the internal corners, with the bottom folds laid flat on the sub-floor for stability purposes (see Fig. 1).
3. **Unroll a full width piece of Regupol® 7210C** making allowance for the 100mm upturn at each end. Cut a 230mm x 230mm square piece from the **Regupol® 7210C** in the corner that will overlap the corner piece. Move the **Regupol® 7210C** to overlap the **Regupol® Corner Piece** and turn it up each wall by 100mm. Ensure that all overlapping edges are taped with **Regupol® Tape** (see Fig. 2).
4. **Overlap all joints (both along and across the roll)** by at least 50mm and tape all joints using **Regupol® Tape** only (see Fig. 3).
5. **Turn up edges at walls** to ensure the screed will not touch the walls and is of sufficient length to lap under wall linings and skirtings (we recommend the length be 100mm) (see Fig. 4a).
6. **Lay a waterproof membrane** (eg Visqueen), minimum of 0.2mm thick over the entire area (see Fig. 4b). Overlap all joints by at least 100mm and tape all joints using **Regupol® Tape** only.

You can now cast the screed taking the usual precautions to avoid damaging or moving the membrane and the **Regupol®**.

Installation Service

In addition to supply of this product CMS Acoustic Solutions offers a competitively-priced installation service anywhere in the UK. Use of our service ensures that installation is performed to the highest standards by tradesmen fully experienced in the specialist skills of fitting acoustic materials correctly. For further details contact our technical team on 01925 577711.

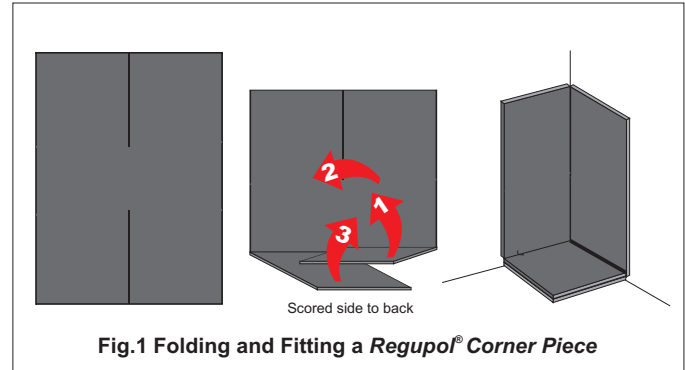


Fig.1 Folding and Fitting a Regupol® Corner Piece

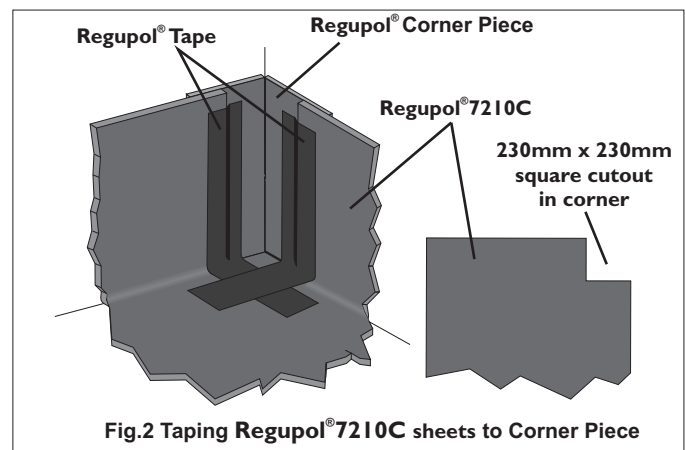


Fig.2 Taping Regupol® 7210C sheets to Corner Piece

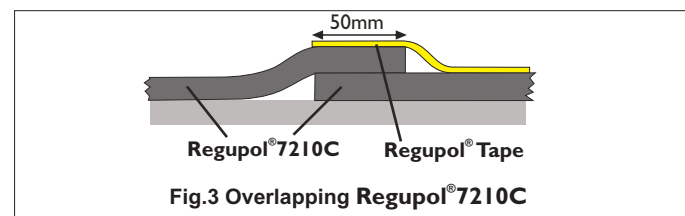


Fig.3 Overlapping Regupol® 7210C

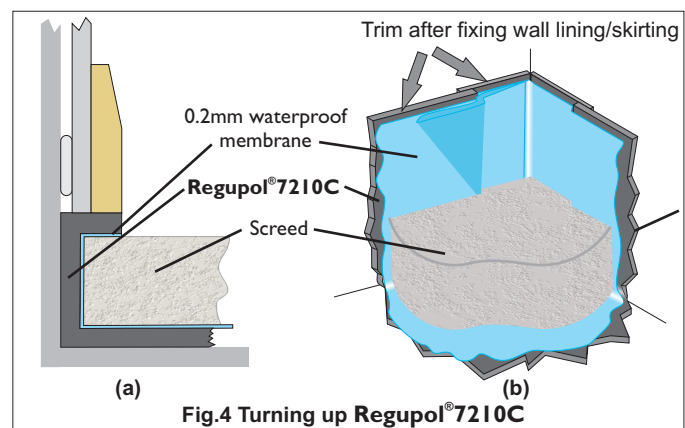


Fig.4 Turning up Regupol® 7210C